

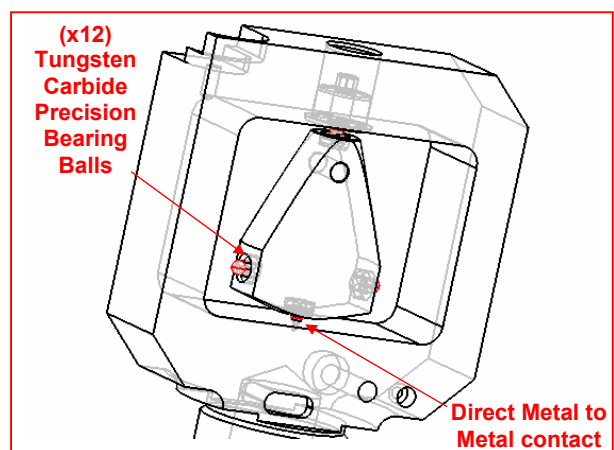
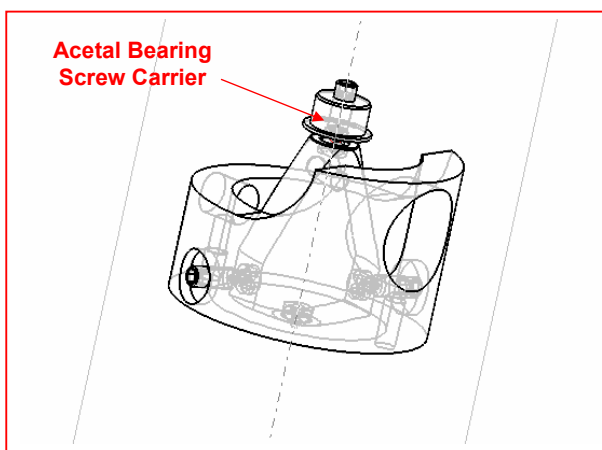
## THE NEW ARTEMIZ TONE ARM

The Artemiz has been regarded by many critics to be the most open sounding, dynamic and detailed tone arm available. Roksan is proud to announce the *New Artemiz Precision Tone Arm* that builds on the strengths of the highly regarded original. This Artemiz sets a new standard in tone arm performance that offers an unparalleled musical experience of vinyl replay.

Some of the most significant features & changes in the new design are:

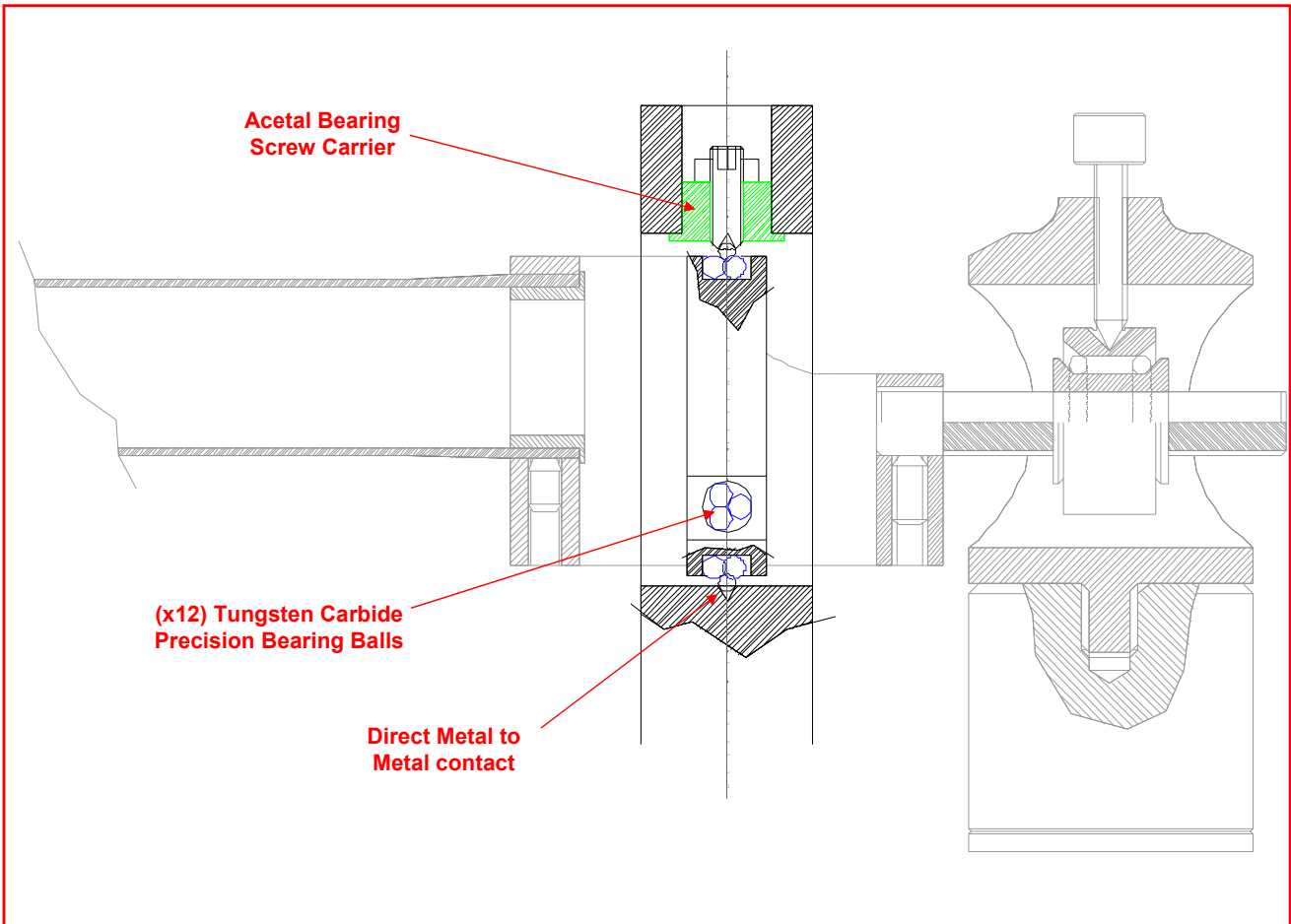
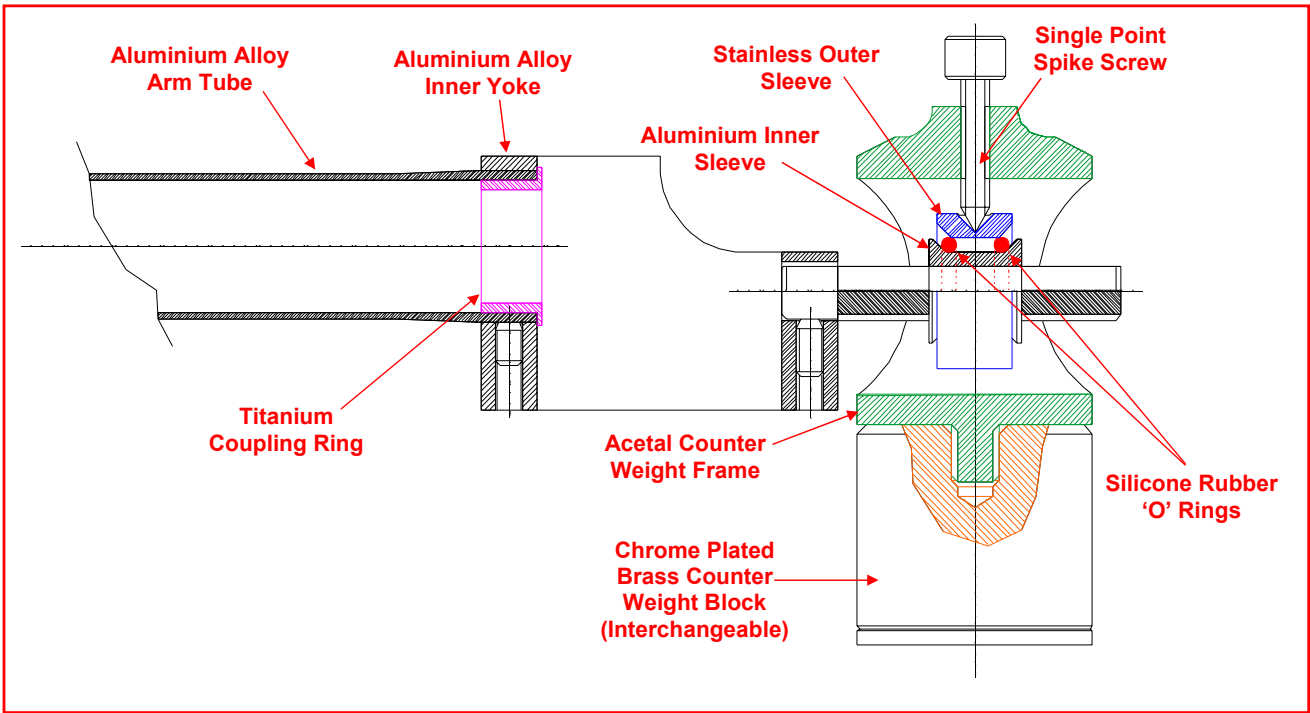
- **Acetal Vertical Bearing Screw Carrier**  
*This ensures only one metal to metal contact with the main bearing yoke.*
- **12 Tungsten Carbide Bearing Balls; TMS2 type**  
*To provide a much harder yet smoother bearing surface.*
- **Titanium Coupling Ring for the Arm Tube/ Inner Yoke connection**  
*This provides a superior contact combined with the required critical damping.*
- **Improved Anti-skate Assembly**  
*The new assembly delivers bias force more accurately to allow the cartridge to extract more information.*
- **New Silicone Damping Rings for the Counter Weight Carrier**  
*Improved isolation of the C/W assembly.*
- **New Black Anodised Finish**

The combination of the Acetal carrier, the Tungsten Carbide balls and the new arm tube coupling has eradicated the necessity of the arm tube damping which was originally achieved using the rubberised paint or the foam strip used on earlier Artemiz tone arms. As a result the Artemiz is much more dynamic, 'quieter' with unsurpassed control.



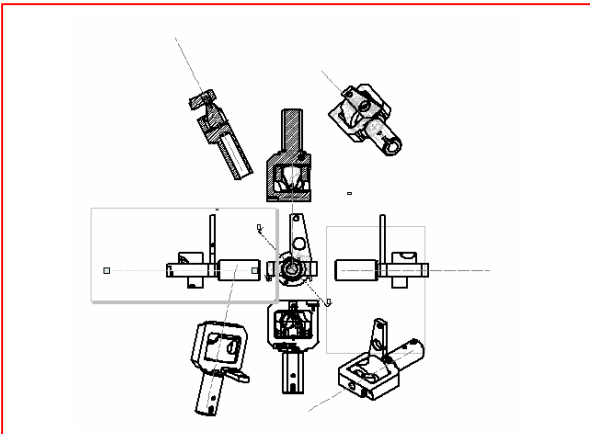
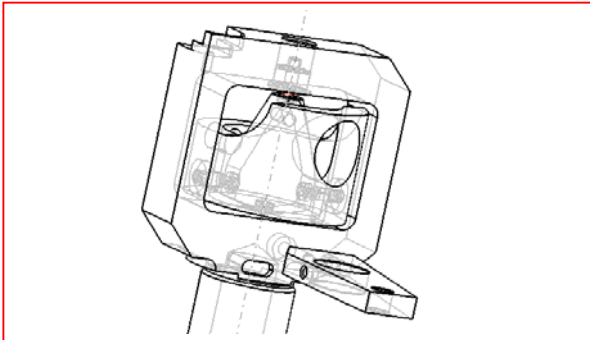
# ARTEMIZ

ANALOGUE



## Specification

Effective Length:	240.00mm
Overhang:	17.50mm
Head-shell offset angle:	22.9 degree
Mounting hole diameter:	22.00mm
Arm board thickness:	4.50mm – 26.00mm
Recommended arm board material:	Acetal or MDF
Recommended Cartridge Tracking Force	1.3 – 3.0 g
VTA adjustment	Yes via Arm pillar mounting adjustment
Recommended cartridge weights:	5-10 g (with standard counterweight)
Effective Mass:	9 g
Head-shell/Arm tube	One Piece Aluminium Alloy
Arm tube fixing	Titanium coupling ring/stainless retaining screw
Bearing Assembly	Unique 'Pyramidal' Roksan design silent running x12 Tungsten Carbide Bearing Balls x4 Hardened Steel Bearing balls
Counter Weight Assembly	Unique Roksan 'Intelligent' type
First break resonance	1.4kHz



# ARTEMIZ

ANALOGUE

### ROKSAN AUDIO LIMITED

6 NORTHFIELD INDUSTRIAL ESTATE  
BERESFORD AVENUE ALPERTON MIDDLESEX HA0 1NW ENGLAND

TEL. +44 (0)20 8900 6801/ +44 (0)20 8900 6802

FAX. +44 (0)20 8900 0734

www.roksan.co.uk

email info@roksan.co.uk

All specifications are liable to change without notice. E&OE

